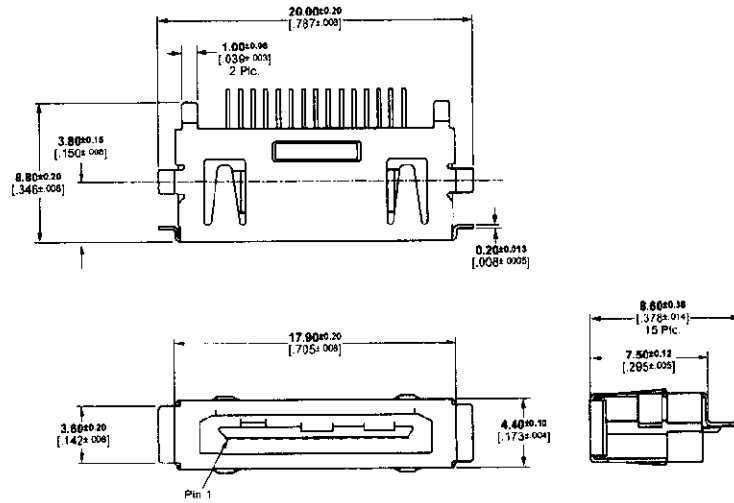
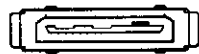


**I/O Connectors
Header, Series III, SMT**

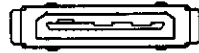
- Centerline — 0.80 [0.031]
- With Holddowns — No
- Shielded — Yes
- Housing Material — Nylon
- Housing Material Flammability Rating — UL 94V-0
- Contact Material — Phosphor Bronze
- Contact Plating — Gold (10) over Padium Nickel (40)
- Contact Underplating — Nickel (50)
- Solder Tail Plating — Tin-Lead (150)
- Shield Material — Stainless Steel
- Shield Plating — Tin-lead
- Packaging Method — Tape & Reel
- PC Card Headers — see page 37 in Sockets Section



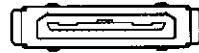
Technical Documents
Application Specifications —
114-6058



Keying Option 1



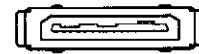
Keying Option 2



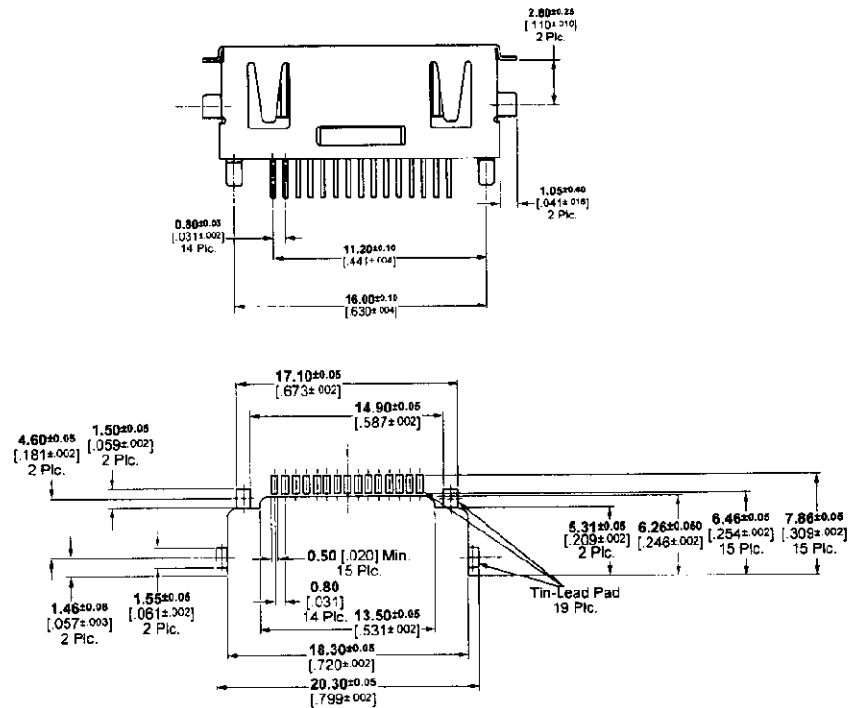
Keying Option 3



Keying Option 4



Keying Option 5



Recommended PC Board Layout

No. of Positions	PCB Offset	Color	No. of Contacts Loaded	Keying			
				1	2	3	4
15	.000 [0.0]	Black	15	5-569331-1	5-569331-2	5-569331-3	5-569331-4
15	.000 [0.0]	Natural	14	5-1116244-1	—	—	—
15	.000 [0.0]	Natural	15	5-569491-1	—	5-569491-3	—
15	0.41 [0.016]	Black	15	5-558556-1	5-558556-2	5-558556-3	5-558556-4

Note: Receptacle should have the same PCB offset as Header.

Input/Output

Removable/GBC/Pluggable